



WASTEQUIP

WASTEQUIP - WASTEQUIP-PAK-MAN™ SELF CONTAINED COMPACTORS

PM6FS & PM6R PAK-MAN™ SELF CONTAINED COMPACTORS



Spring assisted compactor lid

PM6FS model designed for trucks with front end loaders. Shown with remote power plant.



Leak resistant container

Pak-Man compactors are ideal for small volume businesses

6 cubic yard self-contained compactor is sized to fit a small corral behind your business which may be a restaurant, nursing home, retail and other smaller company. The compactor compresses waste and reduces hauling frequency and its cost. Compactor operation is secured with a key and is easy to operate with one button which starts and stops the entire compaction process. You'll have comfort in knowing the container is leak resistant. The Pak-Man™ is available in two

configurations-front loading for a front sleeve truck (PM6FS) or a rear loading cable lift design (PM6R). Your Wastequip representative can help you determine which configuration and other options are proper for your business.



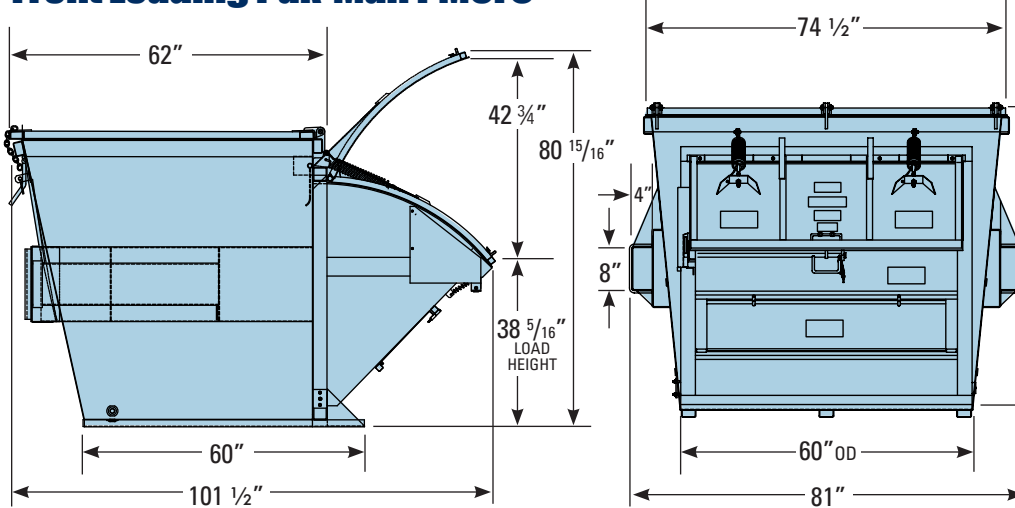
Remote power plant is easy to operate



Rear loading PM6R Pak-Man

PAK-MAN™ SELF CONTAINED COMPACTORS

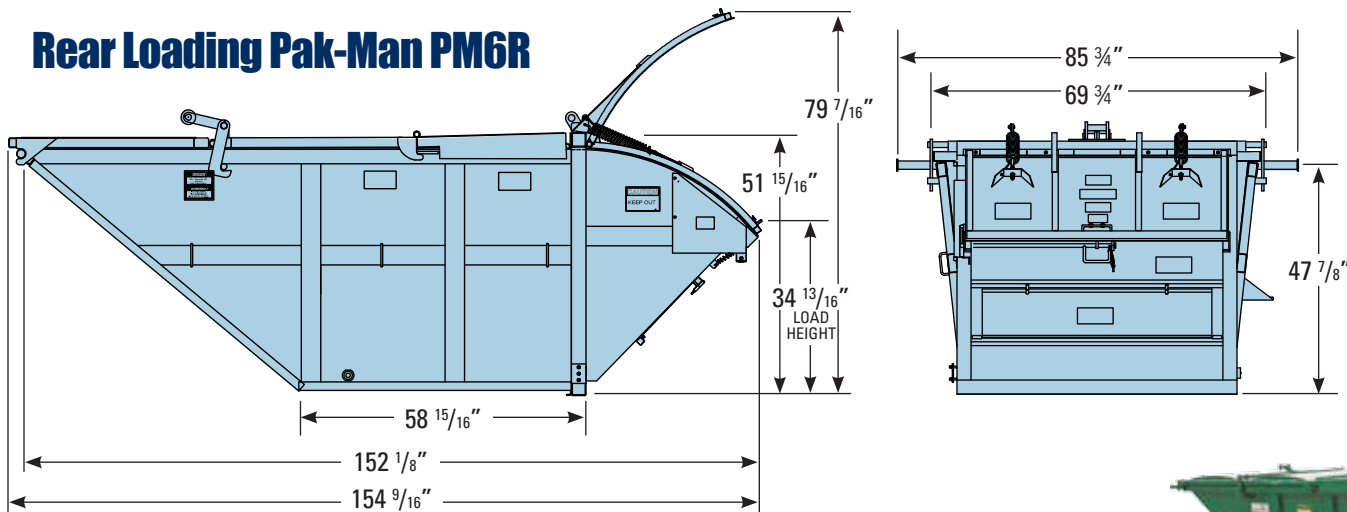
Front Loading Pak-Man PM6FS



Specifications

WASTECC Rating size.....	83 cu.yd.
Loading chamber opening.....	53"L x 28"W
Ram penetration.....	12.5"
Ram face.....	41"L x 53"W
Cylinder stroke (2).....	16"
Cylinder bore (2).....	3"
Cylinder rod diameter (2).....	1.5"
Cycle time.....	36.7 sec.
Pump size.....	2.8 GPM
Motor size.....	3 HP
Operating pressure	
Normal.....	1550 PSI
Maximum.....	1750 PSI
Force rating	
Normal.....	21,900 PSI
Maximum.....	24,700 PSI
Approximate weight PM6R.....	2,270 lbs.
Approximate weight PM6FS.....	2,150 lbs.

Rear Loading Pak-Man PM6R



Features

- External power plant with weather cover
- NEMA 4, US & Canadian UL Listed Industrial control panel
- 3 HP, 208/230/460 Volt, 3 phase TEFC motor
- 200 mesh oil filter
- 13 gallon oil reservoir
- Automatic sequence valve
- Spring loaded retainer teeth
- Spring assisted compactor lid with interlock
- Two 1/2" x 12' hoses
- Hydraulic quick disconnect hose couplers
- Drain plug in container side
- Standard finish-red oxide primer
- Units are compliant with all ANSI Z 245.1 Safety standards

Options

- Select from many standard Wastequip colors
- Oil heater for operation in colder temperatures

Customer Assistance

Wastequip will assist you with compactor area designs, engineering requirement and offer conceptual studies and site surveys. We offer customization to work around more difficult applications. Rental, lease and purchasing plans are available. We also offer service and training seminars so your personnel can operate and maintain this equipment.



WASTEQUIP

Nationally known for personal service

Phone 877-PAK-WASTE

Email: sales@wastequip.com

www.wastequip.com

Wastequip serves North America from over 30 locations with quality, containers, roll off hoists, self-dumping hoppers, compactors, balers, trailers and tarps for companies in environmental preservation and material handling.

April © 2008 Wastequip, all rights reserved. Specifications subject to improvement without notice. Equipment displayed should be operated by properly trained personnel. Operators should become familiar with OSHA, ANSI and any other applicable standards or laws for using this equipment. Improper use, misuse, or lack of maintenance could cause injury to people and/or property. Photos used in the literature are illustrative only. We assume no liability or responsibility for proper training/operation of equipment not manufactured by Wastequip. We reserve the right to make changes at any time without notice. Information contained within this literature is intended to be the most accurate available at time of printing.