



WASTEQUIP

VERSATILE & PORTABLE REAR LOADING CONTAINERS

High-density polyethylene covers are standard on all models. You can order them without covers

Heavy gauge, triple formed channel surrounds container top and is the basis for the unit's rigidity

Reinforced handles made from 1" rod and 1/4" flat steel

All containers have standard polyethylene covers

Your choice of; four 6" swivel casters or 2 swivel/2 rigid casters

14 gauge steel body

Coated inside and out with industrial enamel.

Drain plugs-a standard necessity

Wrap-around corners have continuous welded seams inside and out for superior strength

Heavy-duty, corner-wrapped striker plates

Full-length wheel channels-this fully supports the wheels and adds strength to the body

Tough-built containers fit most packer-dumpers

Wastequip Teem are time-proven specialists in the creation of rugged containers that are designed to work faster, simpler and safer. Selected materials and construction techniques produce containers which will give your company years of dependable service. Each of these container

models are designed to be lifted by most standard packer-dumper attachments. These containers stack conveniently economical shipping and storage.



T-1 model (1 cubic yard)



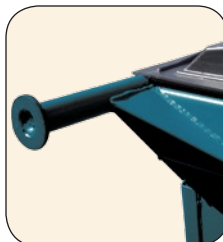
T-1 1/2 model (1 1/2 cubic yards)



T-2R model (2 cubic yards)



Select four 6" swivel casters or 2 swivel/2 rigid casters. They are made from solid polyolefin secured to steel casters with hardened steel bolts. Swivels are double ball bearings on hardened steel king pins



1 1/4" solid trunnion bar adds extra strength to the container. Solid 1 inch handles fit through container side walls, through a wrap-around triangle brace and are firmly welded in place



Wrapped corners are welded on the inside and outside for superior strength. Side are slanted for easier dumping

WASTEQUIP - REAR LOADING CONTAINERS, 1 TO 2 cubic yards

REAR LOADING CONTAINERS, 1 to 2 cubic yards

Tough-built containers fit most packer-dumpers

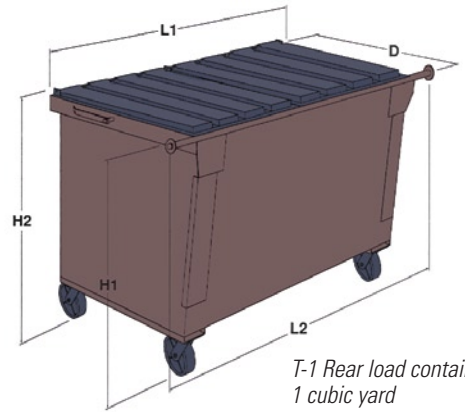
STANDARD FEATURES

- High-density polyethylene covers
- 14 gauge steel body construction
- Wrap-around corners with continuous welded seams
- Heavy gauge, triple formed channel surrounds container top
- 1 1/4" solid steel trunnion bar
- Reinforced handles made from 1" rod and 1/4" flat steel
- Heavy-duty, corner-wrapped striker plates
- Full-length wheel channels
- Bolt-on caster extensions on T-1 model

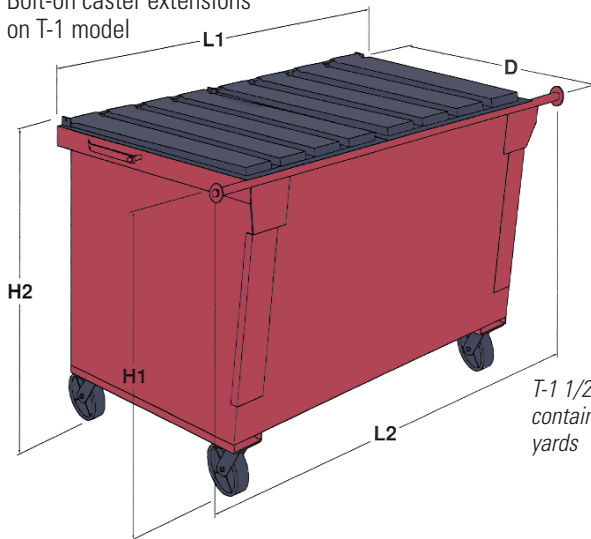
- Your choice of; four 6" swivel casters or 2 swivel/2 rigid casters
- Coated inside and out with industrial enamel
- Drain plugs

OPTIONS

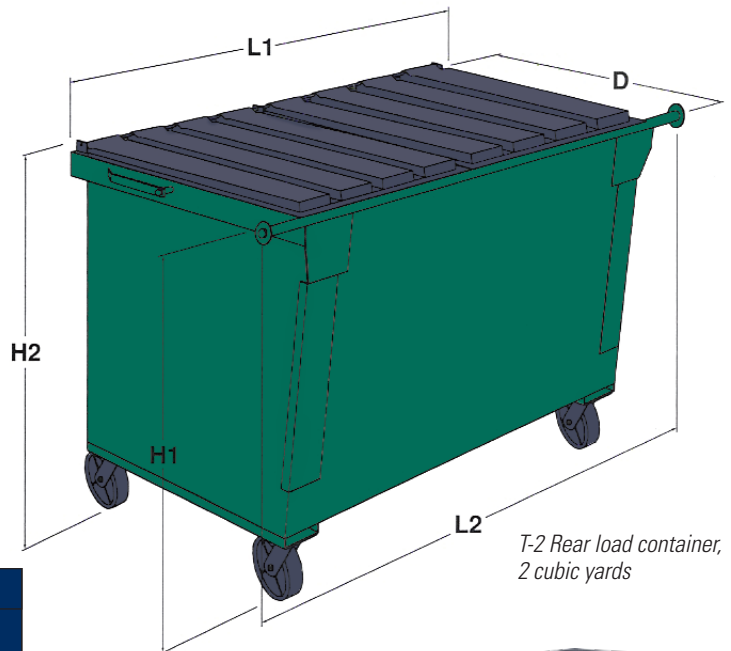
- Heavier gauge bodies
- Several standard color choices
- Primed and painted interiors and exteriors
- All models can be ordered without covers
- Rear cable attachment (T-1, T-1 1/2, T-2)
- Quick disconnect caster pads



T-1 Rear load container, 1 cubic yard



T-1 1/2 Rear load container, 1 1/2 cubic yards



T-2 Rear load container, 2 cubic yards



Model	Yds	Outside Dimensions				
		"L1"	"L2"	"D"	"H1"	"H2"
T-1	1	64 3/4"	77 1/2"	27"	45"	47"
T-1 1/2	1 1/2	64 3/4"	77 1/2"	37"	45"	47"
T-2	2	64 3/4"	77 1/2"	43"	49"	51"

Standard Colors



November © 2008 Wastequip, all rights reserved. Specifications subject to improvement without notice. Equipment displayed should be operated by properly trained personnel. Operators should become familiar with OSHA, ANSI and any other applicable standards or laws for using this equipment. Improper use, misuse, or lack of maintenance could cause injury to people and/or property. Photos used in the literature are illustrative only. We assume no liability or responsibility for proper training/operation of equipment not manufactured by Wastequip. We reserve the right to make changes at any time without notice. Information contained within this literature is intended to be the most accurate available at time of printing.

Containers meet or exceed ANSI Z245.3 container safety requirements.

All specifications are subject to change without notice. Unless otherwise stated in writing, container sizes indicated are nominal sizes. Actual volume may vary from nominal sizes. One year warranty.

Wastequip and/or its companies are a members of...
California Refuse Removal Council • Solid Waste Association of North America • Clara Mateo Garbage Association



WASTEQUIP

Nationally known for personal service

3509 Teem Drive
Sioux Falls, SD 57107
Toll free 877-got waste
Phone 605-336-1333
Fax 605-334-8704

www.wastequip.com

Wastequip offers financing and leasing programs

Wastequip's Nationwide locations serve North America with quality: containers, roll off hoists, self-dumping hoppers, compactors, balers, trailers and tarps for companies in environmental preservation and material handling