



# WASTEQUIP

## SLOPE SIDE REAR LOADING CONTAINERS with CASTERS

High-density polyethylene cover on a sturdy swing-away cover system

1 ¼" solid steel trunnion bar on T-2S model. 1 3/8" solid steel trunnion bar on T-3 and T-4S models

Heavy-duty striker boxes available

14 gauge steel body in T-2S and T-3 models. 12 gauge steel body in T-4S model

Coated inside and out with industrial enamel in your choice of standard colors

**All containers have standard polyethylene covers**

Heavy gauge, triple formed channel surrounds container top

Reinforced handles made from 1" rod and ¼" flat steel

Wrap-around corners with continuous welded seams on outside and inside

Full-length wheel channels adds strength for wheel load and to container

Your choice of; four 6" swivel casters or 2 swivel/2 rigid casters. Bolt-on caster extensions are furnished on the T-2S model

### Slope sided rear load containers offer extra volume & easier dumping

Wastequip containers are designed to be lifted by most standard packer-dumper attachments and they are ruggedly built to work faster, simpler and safer. A blended use of materials and construction techniques yield containers which will give years of dependable service.



T-2S model (2 cubic yard)



T-3 model (3 cubic yards)

T-4S model (4 cubic yards)



Durable polyethylene covers are mounted to a sturdy steel frame which swings away for easy dumping. Covers install quickly and simply.



Polyethylene covers hinge on ½" solid steel rods which are in turn supported by heavy duty braces.



Rugged striker boxes reinforced with heavy braces are an option to protect your containers during the dumping sequence.



Select four 6" swivel casters or 2 swivel/2 rigid casters. They are made from solid polyolefin secured to steel casters with hardened steel bolts. Swivels are double ball bearings on hardened steel king pins.

WASTEQUIP - REAR LOADING CONTAINERS, 2 TO 4 CUBIC YARDS

# REAR LOADING CONTAINERS, 2 to 4 cubic yards

## Slope side rear loading containers with casters

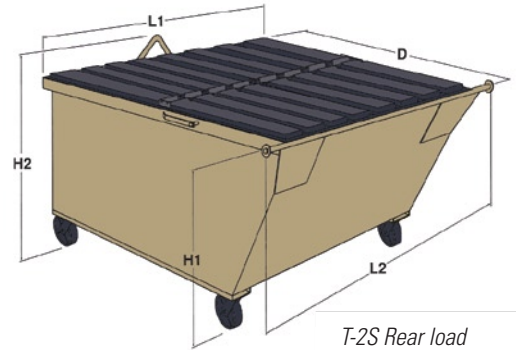
### STANDARD FEATURES

- High-density polyethylene covers
- Sturdy swing-away cover system
- 14 gauge steel body in T-2S and T-3 models
- 12 gauge steel body in T-4S model
- 1 1/4" solid steel trunnion bar on T-2S model
- 1 3/8" solid steel trunnion bar on T-3 and T-4S models
- Heavy gauge, triple formed channel surrounds container top
- Reinforced handles made from 1" rod and 1/4" flat steel
- Heavy-duty striker plates
- Wrap-around corners with continuous welded seams

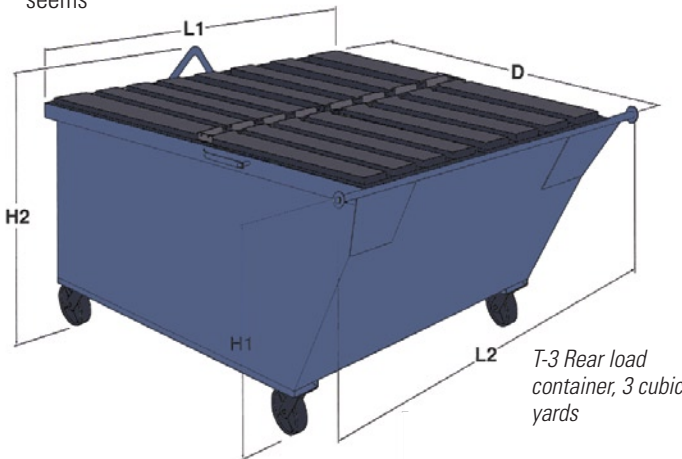
- Full-length wheel channels
- Your choice of; four 6" swivel casters or 2 swivel/2 rigid casters
- Coated inside and out with industrial enamel
- Drain plugs

### OPTIONS

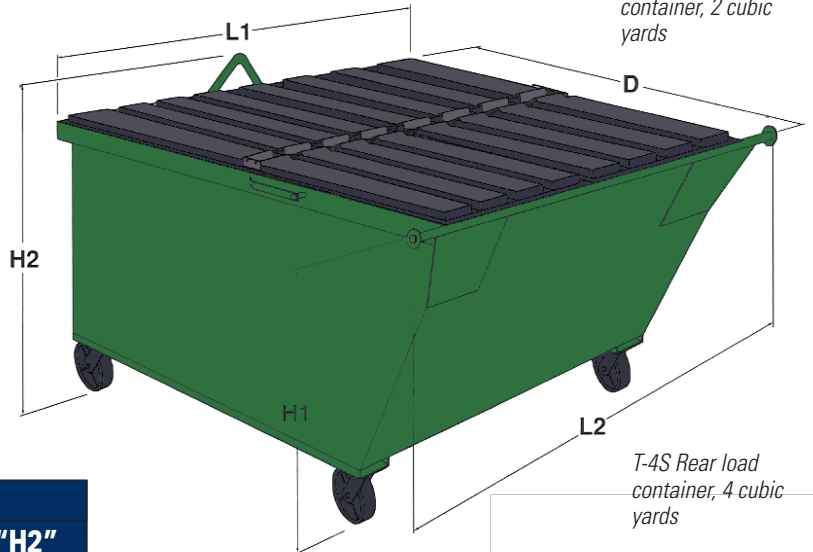
- Heavier gauge bodies
- Several standard color choices
- Primed and painted interiors and exteriors
- Rugged striker boxes protect body during dumping
- Quick disconnect caster pads
- All models can be ordered without covers



T-2S Rear load container, 2 cubic yards



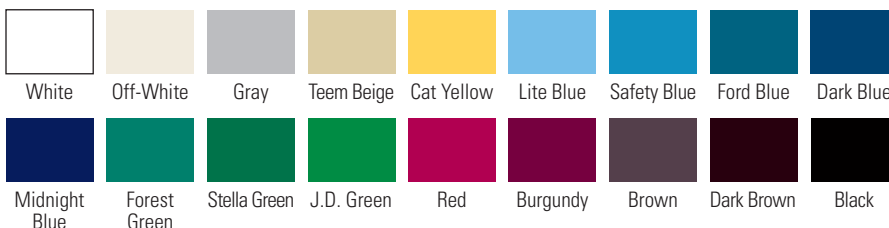
T-3 Rear load container, 3 cubic yards



T-4S Rear load container, 4 cubic yards

Model	Yds	Outside Dimensions				
		"L1"	"L2"	"D"	"H1"	"H2"
T-2S	2	66 3/4"	77 1/2"	58 1/2"	45"	48 1/2"
T-3	3	66 3/4"	77 1/2"	79 1/2"	45"	48 1/2"
T-4S	4	66 3/4"	77 1/2"	90 1/2"	49"	52 1/2"

## Standard Colors



November © 2008 Wastequip, all rights reserved. Specifications subject to improvement without notice. Equipment displayed should be operated by properly trained personnel. Operators should become familiar with OSHA, ANSI and any other applicable standards or laws for using this equipment. Improper use, misuse, or lack of maintenance could cause injury to people and/or property. Photos used in the literature are illustrative only. We assume no liability or responsibility for proper training/operation of equipment not manufactured by Wastequip. We reserve the right to make changes at any time without notice. Information contained within this literature is intended to be the most accurate available at time of printing.

Containers meet or exceed ANSI Z245.3 container safety requirements.

All specifications are subject to change without notice. Unless otherwise stated in writing, container sizes indicated are nominal sizes. Actual volume may vary from nominal sizes. One year warranty.

Wastequip and/or its companies are a members of...  
California Refuse Removal Council • Solid Waste Association of North America • Clara Mateo Garbage Association



**WASTEQUIP**  
Nationally known for personal service

3509 Teem Drive  
Sioux Falls, SD 57107  
**Toll free 877-got waste**  
Phone 605-336-1333  
Fax 605-334-8704

[www.wastequip.com](http://www.wastequip.com)

**Wastequip offers financing and leasing programs**

Wastequip's Nationwide locations serve North America with quality: containers, roll off hoists, self-dumping hoppers, compactors, balers, trailers and tarps for companies in environmental preservation and material handling