



WASTEQUIP

SLOPE SIDE REAR LOADING CONTAINERS *without CASTERS*

Polyethylene covers on steel frame swing away for easy dumping

Double reinforced back channel

Coated inside and out with industrial quality enamel

12 gauge steel body construction

Wrap-around corners with continuous welded seams

1 1/2" solid steel trunnion bar on T-6 and T-8 models.
1 3/8" trunnion bar on T-4 model.

All containers have standard polyethylene covers

Heavy gauge, triple formed channel around container top

High volume containers fit most packer-dumpers

These large, high volume containers, in their standard configuration, are designed as static dumping stations. Wastequip-Teem containers are made from rugged 12 gauge steel. Because of the loads these containers hold, the steel components and welding construction are extra heavy

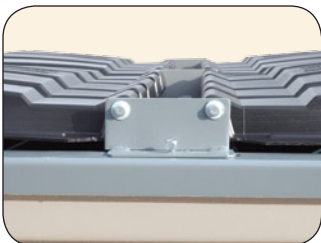
duty. These rear load containers will give your company years of service. Each of these three container models are designed to be lifted by most standard packer-dumper attachments.



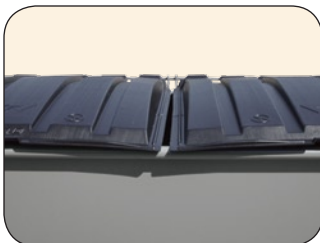
T-6 model (6 cubic yards)

T-4 model (4 cubic yard)

T-8 model (8 cubic yards)



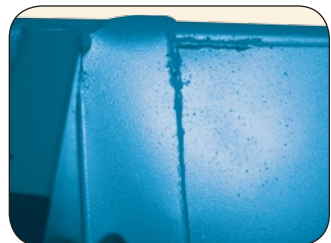
Polyethylene covers hinge on 1/2" solid steel rods which are in turn supported by heavy duty braces



Durable polyethylene covers are mounted to a sturdy steel frame which swings away for easy dumping. Covers install quickly and simply. (The T-6 model requires no straps or chains while dumping)



Container backs are reinforced with two channels for maximum strength. A solid 1" solid steel back hook is welded to the back channel



Wrapped corners are welded on the inside and outside for superior strength. Side are slanted for easier dumping

WASTEQUIP - REAR LOADING CONTAINERS, 4 TO 8 CUBIC YARDS

REAR LOADING CONTAINERS, 4 to 8 cubic yards

High volume rear load containers fit most packer-dumpers

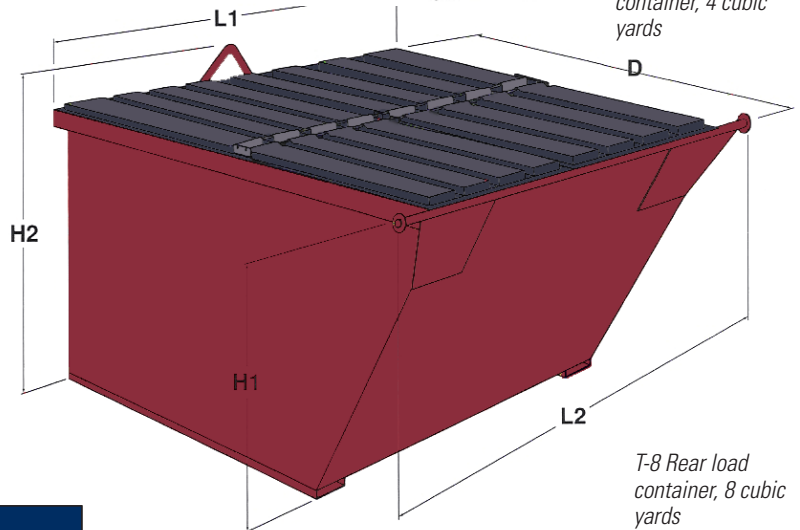
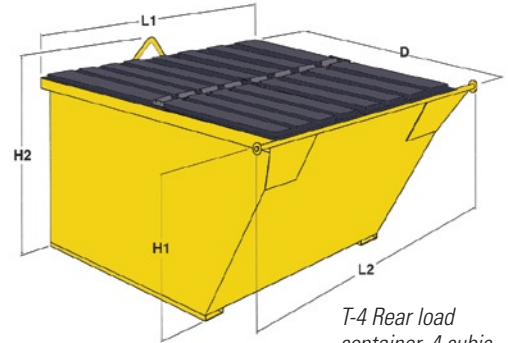
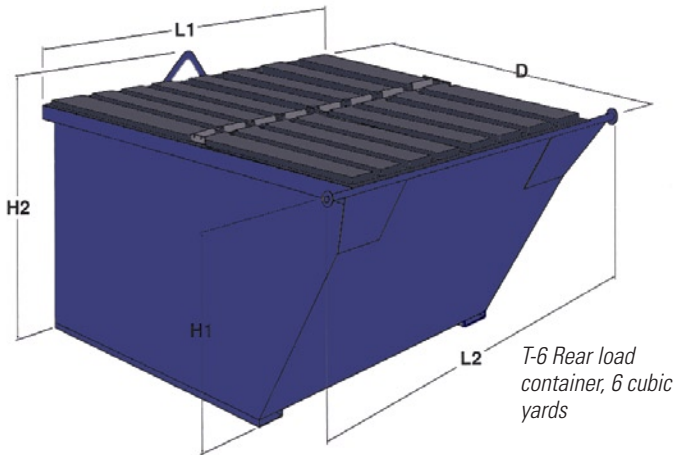
STANDARD FEATURES

- High-density polyethylene covers
- Sturdy swing-away cover system
- 12 gauge steel body
- 1 3/8" solid steel trunnion bar on T-4 model
- 1 1/2" solid steel trunnion bar on T-6 and T-8 models
- Heavy gauge, triple formed channel surrounds container top
- Double reinforced back channel
- 1" solid back hook

- Wrap-around corners with continuous welded seams
- Coated inside and out with industrial quality enamel
- Drain plugs

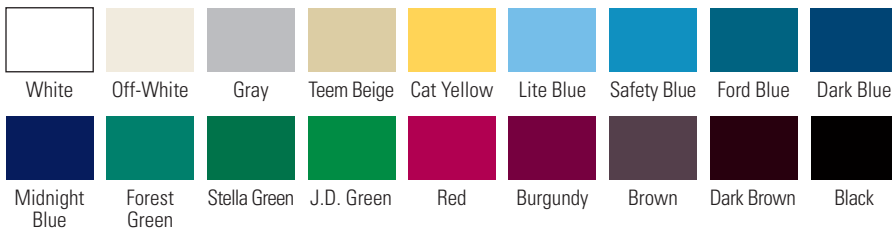
OPTIONS

- Front tow hook
- Heavier gauge bodies
- Several standard color choices
- All models can be ordered without covers



Model	Yds	Outside Dimensions				
		"L1"	"L2"	"D"	"H1"	"H2"
T-4	4	66 ³ / ₄ "	77 ¹ / ₂ "	79 ¹ / ₂ "	50"	52"
T-6	6	68"	77 ¹ / ₂ "	112"	50"	52"
T-8	8	68"	77 ¹ / ₂ "	144"	50"	52"

Standard Colors



November © 2008 Wastequip, all rights reserved. Specifications subject to improvement without notice. Equipment displayed should be operated by properly trained personnel. Operators should become familiar with OSHA, ANSI and any other applicable standards or laws for using this equipment. Improper use, misuse, or lack of maintenance could cause injury to people and/or property. Photos used in the literature are illustrative only. We assume no liability or responsibility for proper training/operation of equipment not manufactured by Wastequip. We reserve the right to make changes at any time without notice. Information contained within this literature is intended to be the most accurate available at time of printing.

Containers meet or exceed ANSI Z245.3 container safety requirements.

All specifications are subject to change without notice. Unless otherwise stated in writing, container sizes indicated are nominal sizes. Actual volume may vary from nominal sizes. One year warranty.

Wastequip and/or its companies are a members of...
California Refuse Removal Council • Solid Waste Association of North America • Clara Mateo Garbage Association



WASTEQUIP

Nationally known for personal service

3509 Teem Drive

Sioux Falls, SD 57107

Toll free 877-got waste

Phone 605-336-1333

Fax 605-334-8704

www.wastequip.com

Wastequip offers financing and leasing programs

Wastequip's Nationwide locations serve North America with quality: containers, roll off hoists, self-dumping hoppers, compactors, balers, trailers and tarps for companies in environmental preservation and material handling